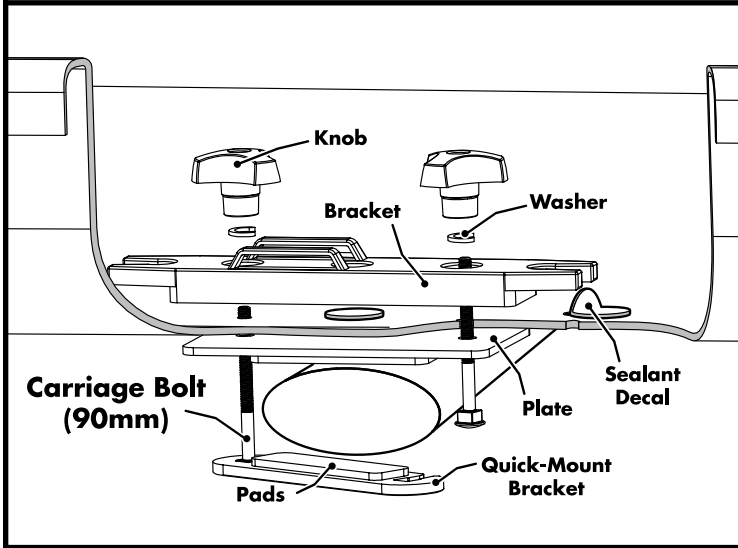




Oversized Crossbar Bolt Kit

- Replace standard length (75mm) carriage bolts with oversized (90mm) carriage bolts from THULE part bag 05030 to allow mounting on oversized Crossbar applications (i.e. Nissan Xterra, Frontier).

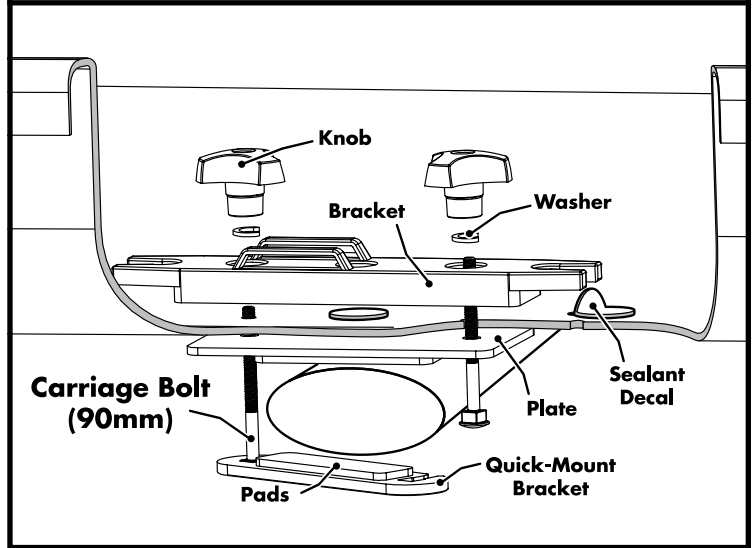


P/N 05067 rev C00 11/01



Oversized Crossbar Bolt Kit

- Replace standard length (75mm) carriage bolts with oversized (90mm) carriage bolts from THULE part bag 05030 to allow mounting on oversized Crossbar applications (i.e. Nissan Xterra, Frontier).

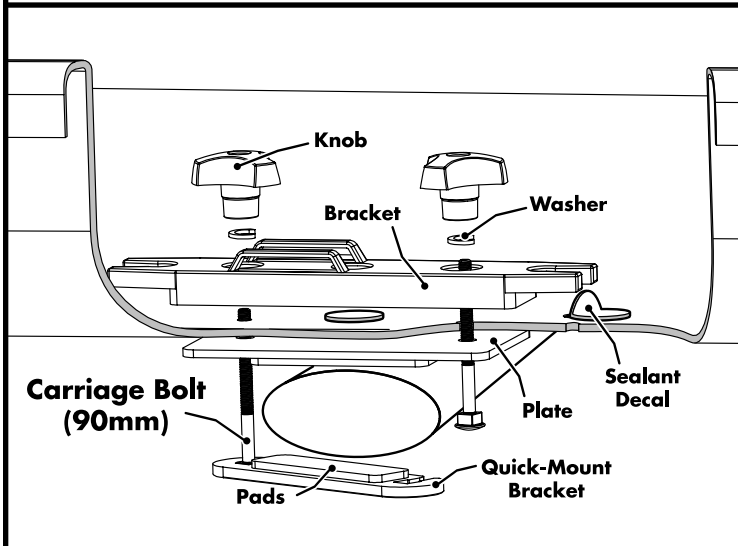


P/N 05067 rev C00 11/01



Oversized Crossbar Bolt Kit

- Replace standard length (75mm) carriage bolts with oversized (90mm) carriage bolts from THULE part bag 05030 to allow mounting on oversized Crossbar applications (i.e. Nissan Xterra, Frontier).

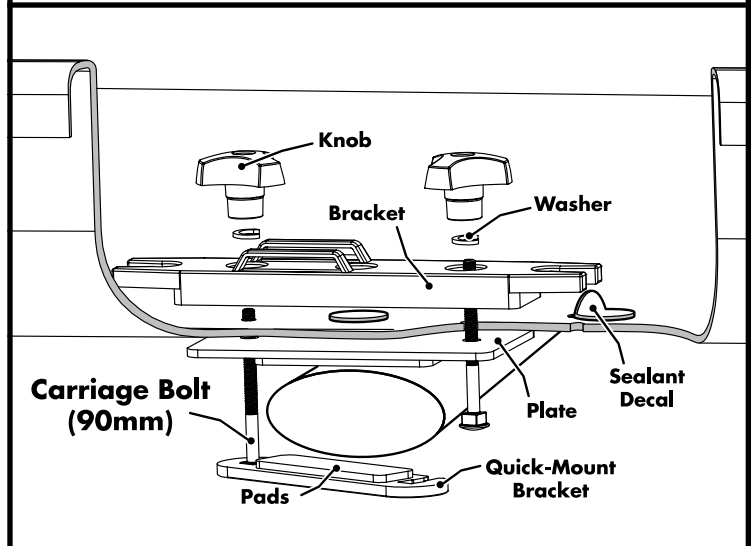


P/N 05067 rev C00 11/01



Oversized Crossbar Bolt Kit

- Replace standard length (75mm) carriage bolts with oversized (90mm) carriage bolts from THULE part bag 05030 to allow mounting on oversized Crossbar applications (i.e. Nissan Xterra, Frontier).



P/N 05067 rev C00 11/01